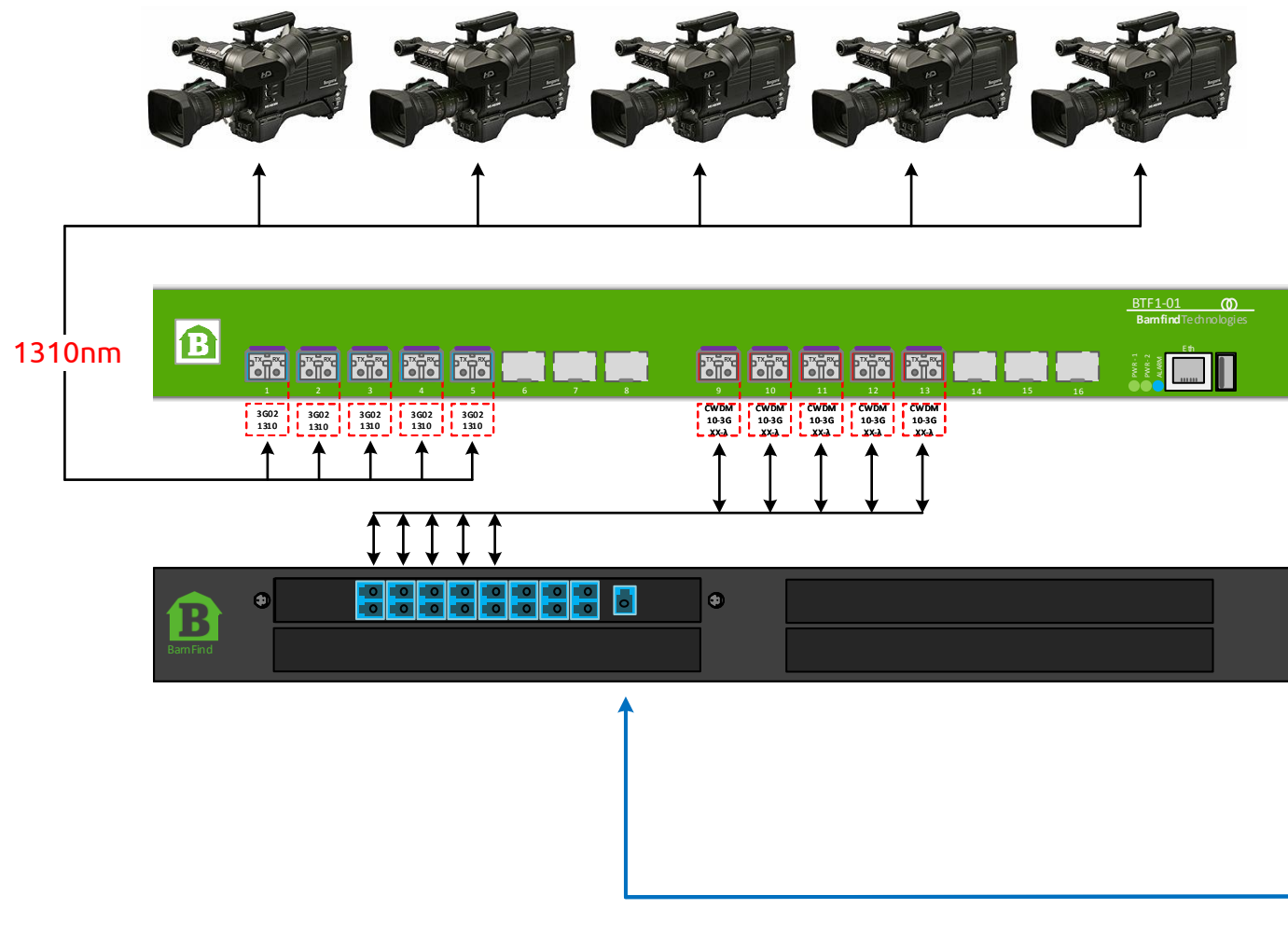
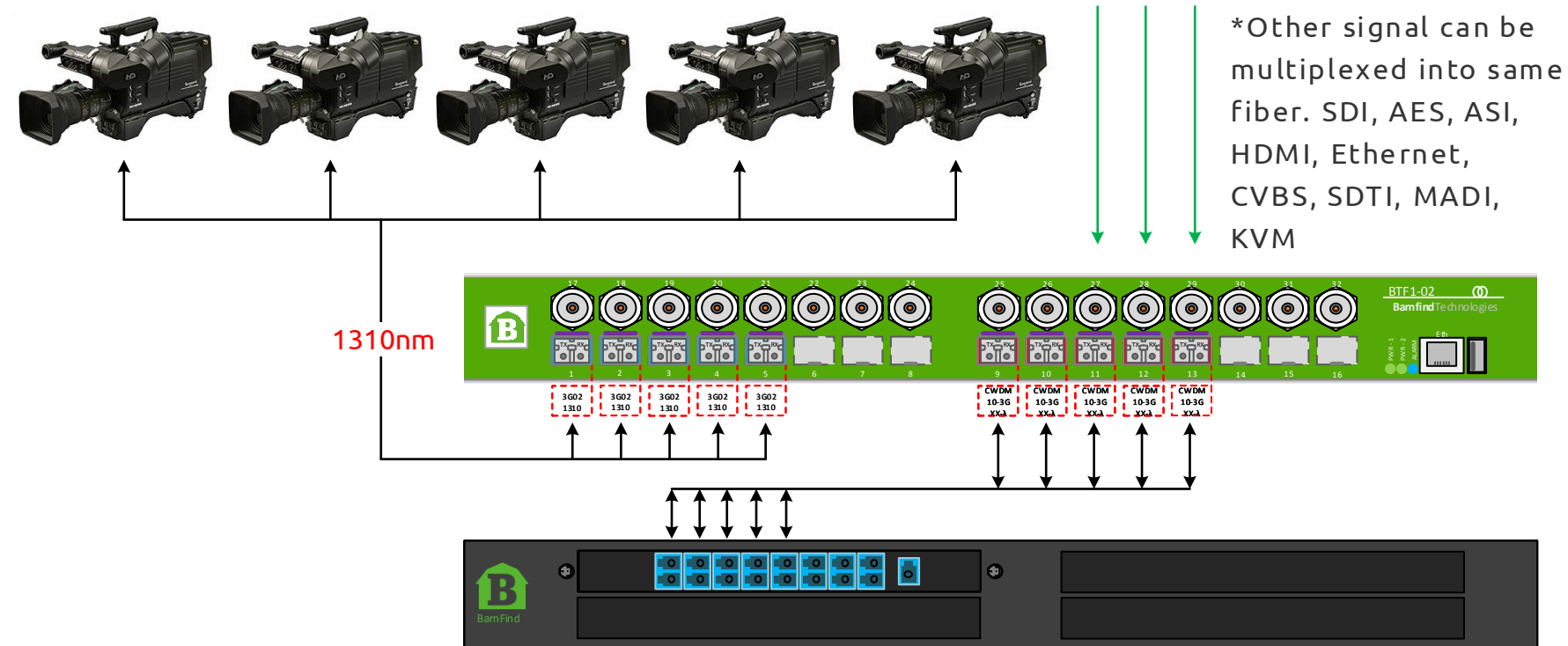
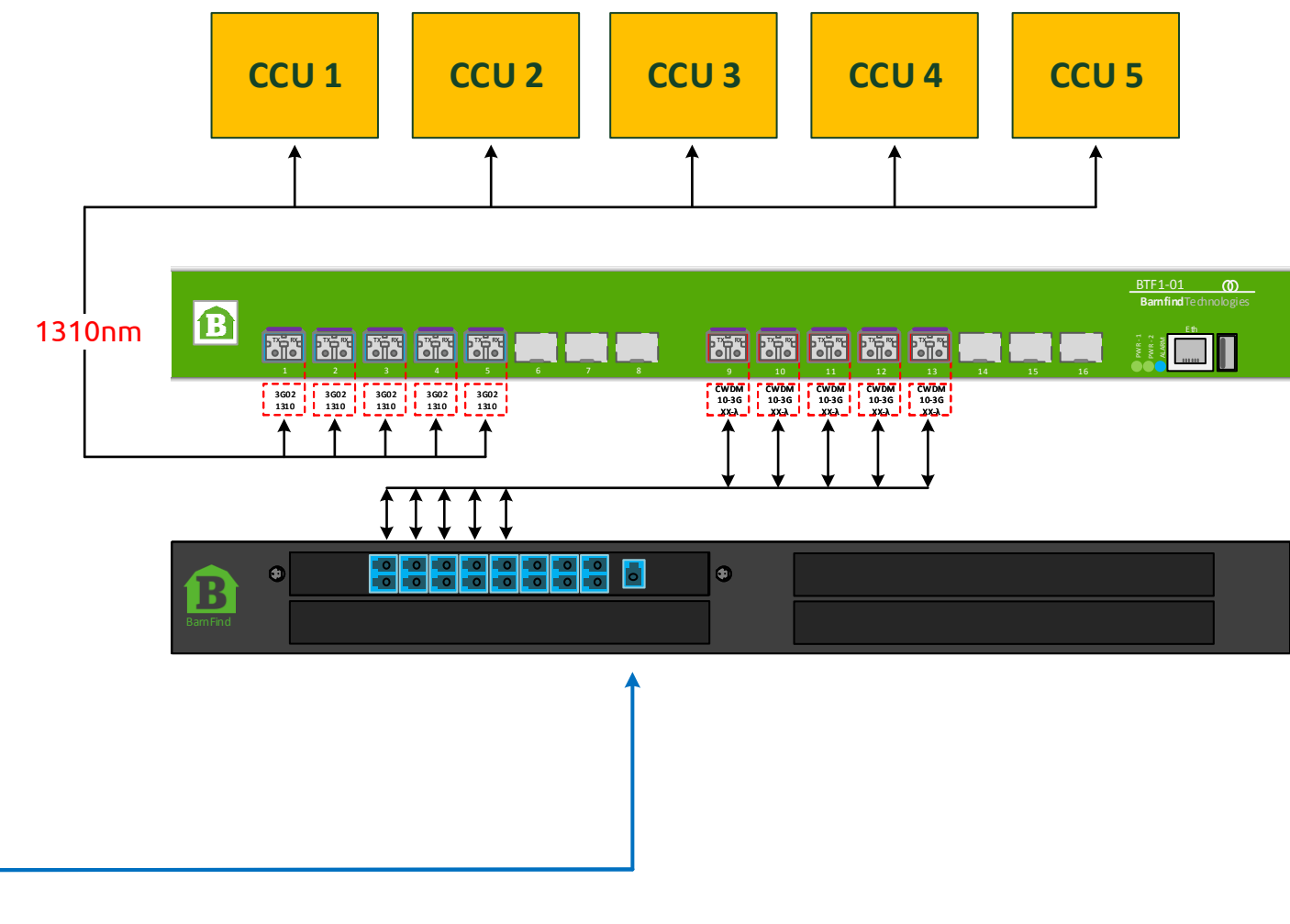


# Camera to CCU



Figures shows the bidirectional signal transport between a camera from any supplier to a camera control unit (CCU). Up to 18 cameras/CCU can be multiplexed into 1 fiber for transport over long distances. The internal matrix in BarnOne frames allows the user to switch any camera to any CCU.



\*Other signal can be multiplexed into same fiber. SDI, AES, ASI, HDMI, Ethernet, CVBS, SDTI, MADI, KVM

- Up to 18 CAM/CCU connections in 1 single mode fiber.
- Transport of proprietary camera protocol independant from camera manufacturer (includes transmission of video, audio, tally, intercom and RCP)
- Other signal can be multiplexed into the same fiber. SDI, AES, ASI, HDMI, Ethernet, CVBS, SDTI, MADI, KVM\*
- Switching functionalities between CAM and CCU.
- Monitoring of the signal flow.