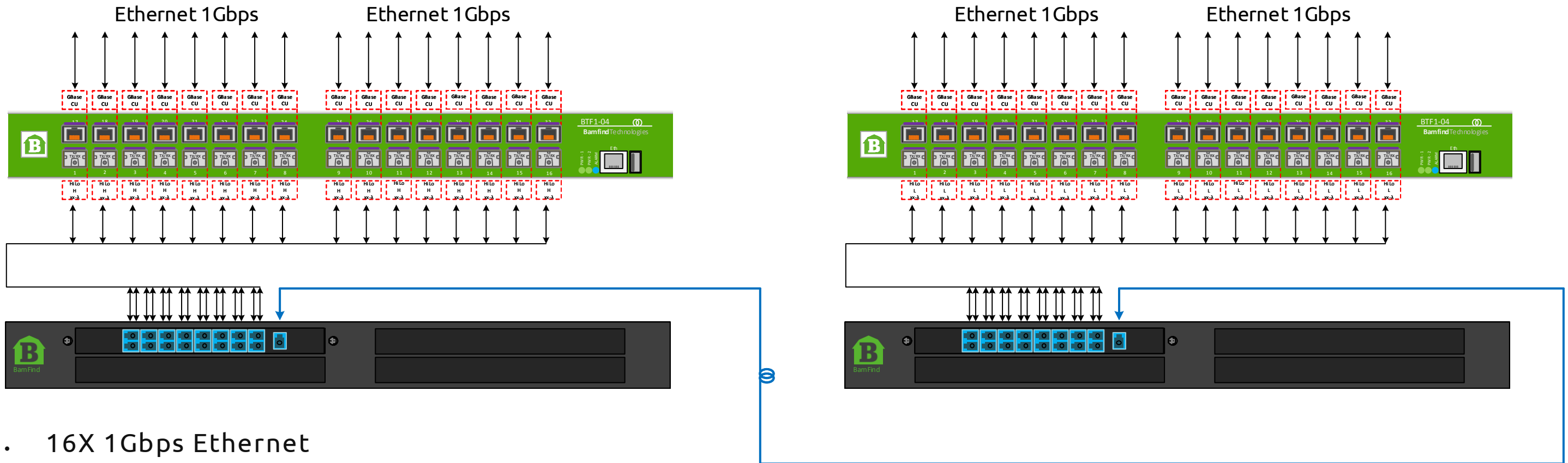


Ethernet Transmission utilising HiLo Technology



- 16X 1Gbps Ethernet
- Only 1 Single Mode fiber when using HiLo technology
- Only 2RU each side
- Optional redundancy line
- Up to 20km distance