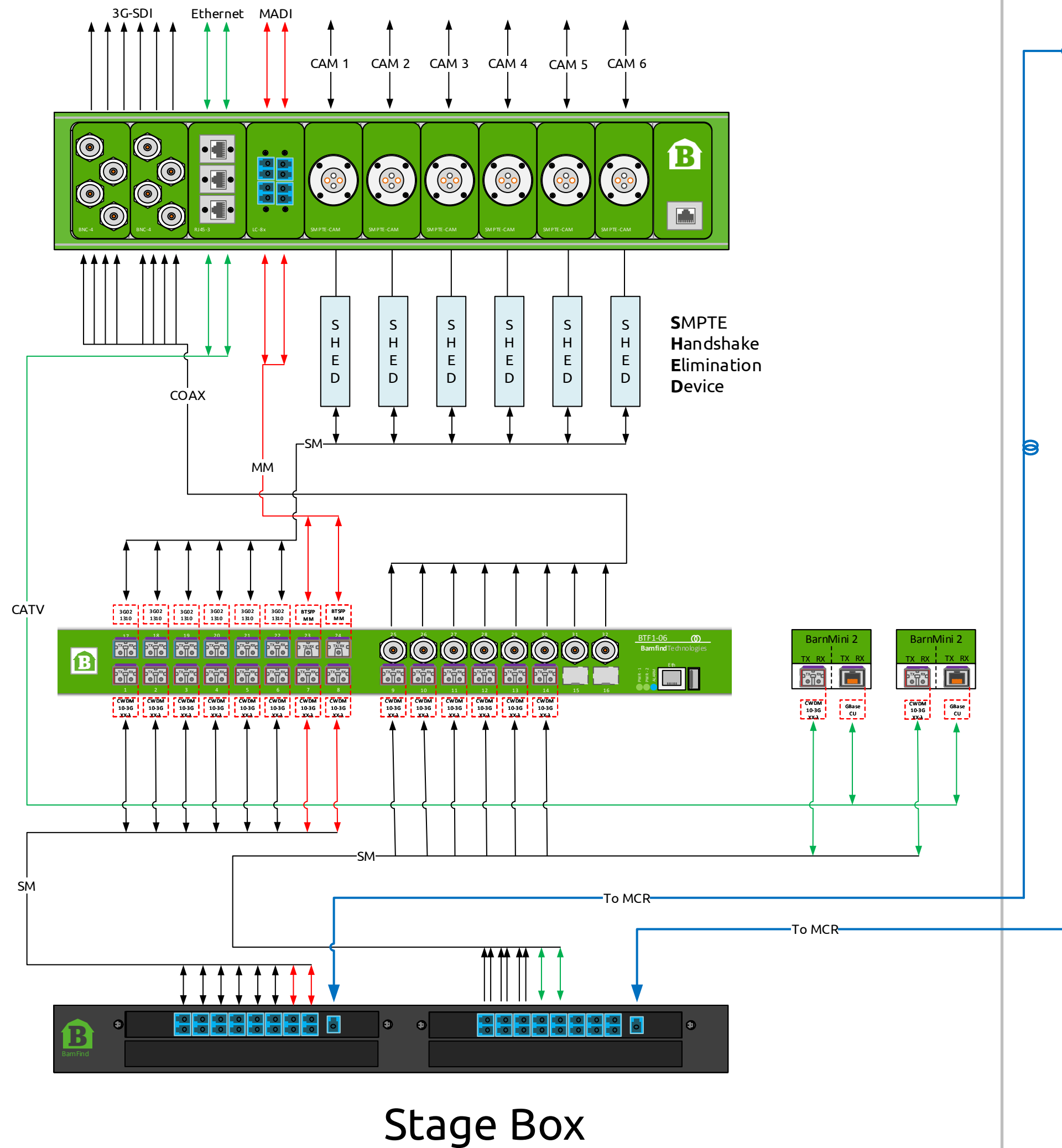


# Mixed Signals Stage Box

- All different types of signals (SDI, Ethernet, MADI, Camera Protocol) for the MCR are converted to a specific wavelength/color by the same BarnOne BTF1-06 frame
- Optical SDI signals from video router are distributed and converted to electrical by the same BTF1-06 frame



- All different types of signals (SDI, Ethernet, MADI, Camera Protocol) for the stage box are converted to a specific wavelength/color by the same BarnOne BTF1-04 frame
- Both Camera to CCU assignment and MADI (stage box to sound desk) and Ethernet is handled by the same BArnOne frame.
- Free channels/colors on the multiplexer for latter add ins

